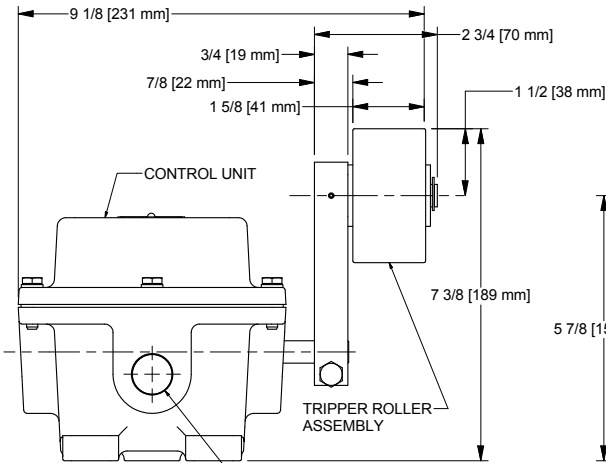
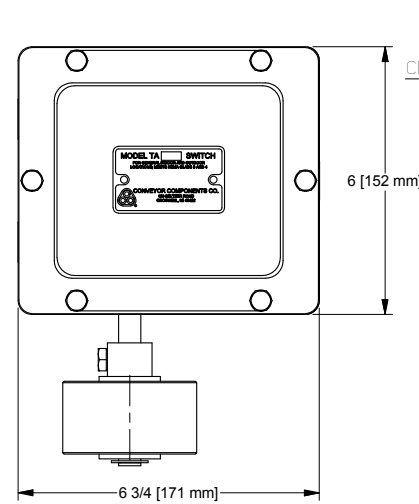
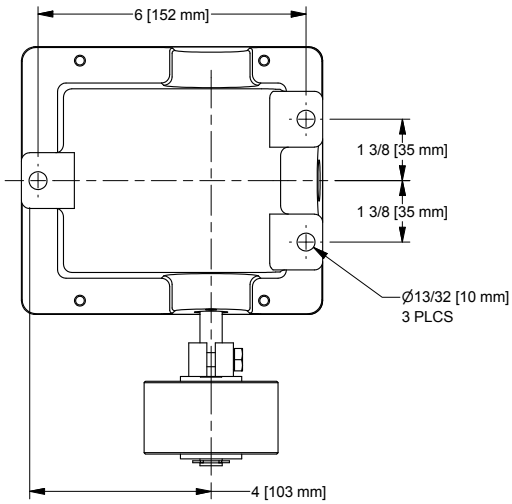
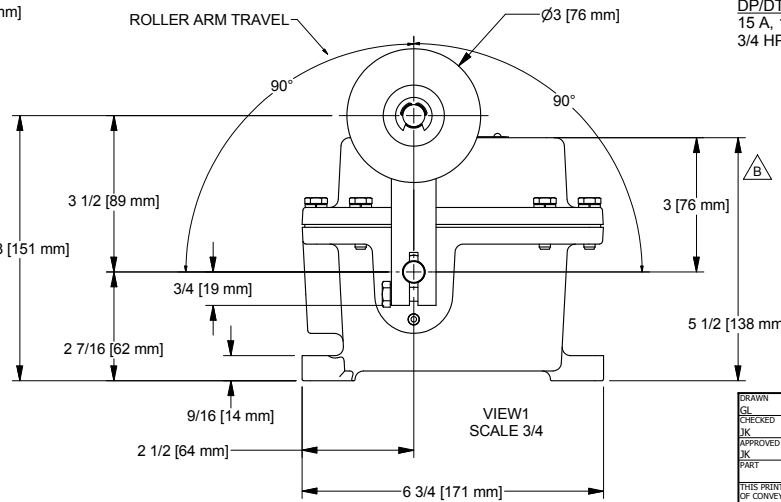


VIEW 4  
SCALE 1/2

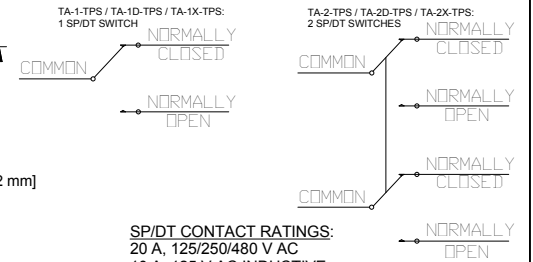


3/4 NPT CONDUIT ENTRY SHIPS WITH TEMPORARY PLUG

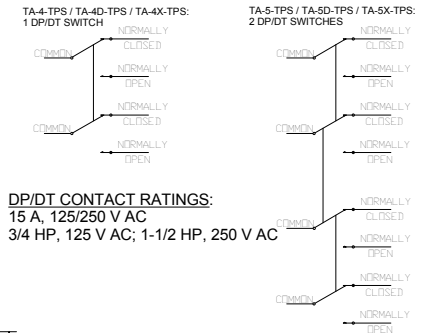


VIEW 1  
SCALE 3/4

REV	ECO	DESCRIPTION	DATE	BY	AP
9	375R	ADD SWITCH INFORMATION	8/8/2014	GL	LJK



**SP/DT CONTACT RATINGS:**  
 20 A, 125/250/480 V AC  
 10 A, 125 V AC INDUCTIVE  
 1 HP, 125 V AC; 2 HP, 250 V AC  
 1/2 A, 125 V DC; 1/4 A, 250 V DC



**DP/DT CONTACT RATINGS:**  
 15 A, 125/250 V AC  
 3/4 HP, 125 V AC; 1-1/2 HP, 250 V AC

ALL DIMS FOR REFERENCE ONLY.  
 EPOXY COATING AVAILABLE.

TYPE 4X ENCLOSURE SHOWN.

TYPE 4X AND CLASS II, GROUPS E, F & G  
 (DUST-IGNITION PROOF) MODELS AVAILABLE.

CLASS I, GROUPS C & D, CLASS II, GROUPS E, F & G  
 HAZARDOUS LOCATIONS MODELS AVAILABLE.

DRAWN	8/10/2009	Conveyor Components Company	
CHECKED	JK	130 Seltzer Road	
APPROVED	8/8/2014	Croswell, Michigan, U.S.A., 48422	
PART	2/26/2010	TRIPPER ROLLER CONTROL SP/DT & DP/DT	
THIS PRINT IS PROPERTY OF CONVEYOR COMPONENTS CO., AND MAY NOT BE USED IN WHOLE OR PART WITHOUT WRITTEN PERMISSION.		SIZE	REV
		D	B
		SCALE	SHEET 1 of 1