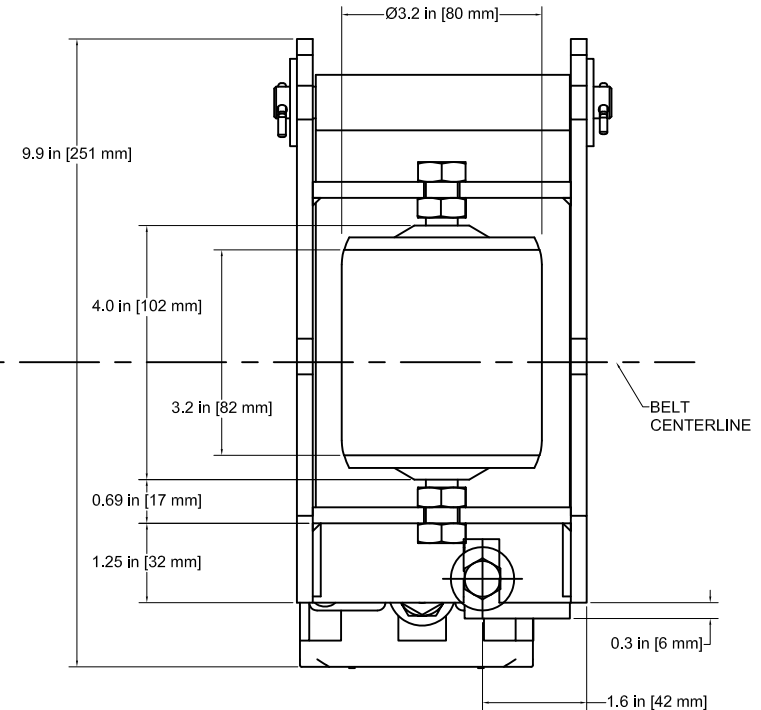
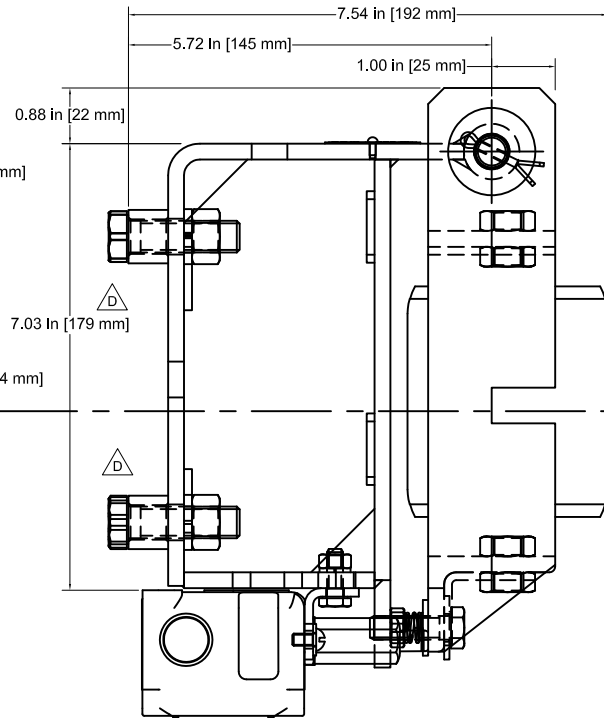
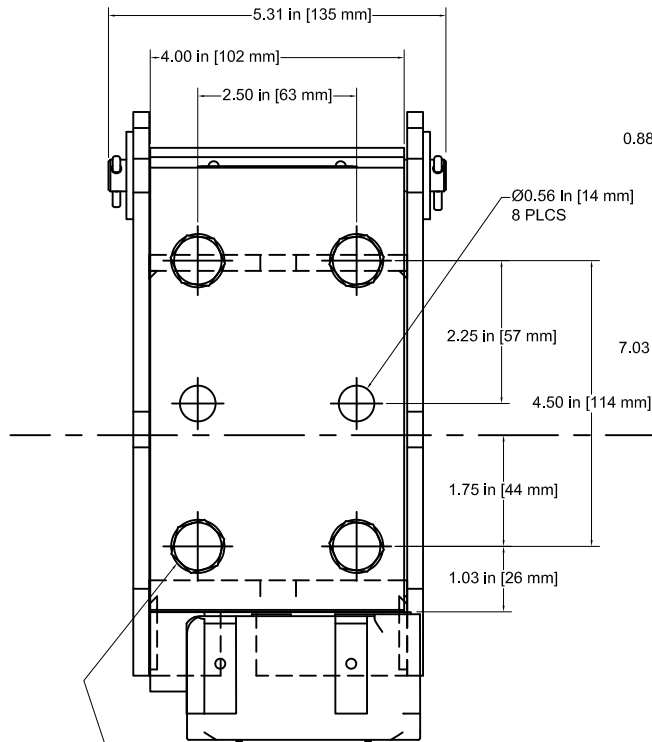
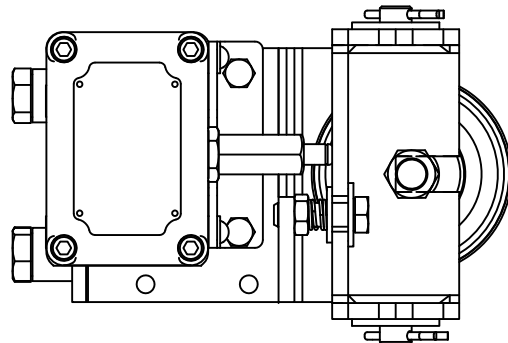


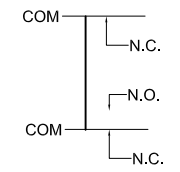
REV	ECO	DESCRIPTION	DATE	BY	APPD
D	3774	CHANGED MOUNTING SPACERS	11/20/2012	GL	JK



△ MOUNTING HARDWARE:
 (4 EACH)
 1/2-13 X 2 HEX HEAD CAP SCREW Z/P
 1/2" LOCKWASHER Z/P
 1/2-13 HEX NUT Z/P
 SPACER



MICRO SWITCH EXD-Q3
 HAZARDOUS LOCATIONS:
 CLASS I, DIV I, GROUPS B, C AND D;
 CLASS II, DIV I, GROUPS E, F AND G.
 10 AMPS, 125 OR 250 VAC
 L59 0.3 AMP, 125 VDC
 0.15 AMP, 250 VDC



REFER TO BOM FOR PARTS LIST.
 ALL DIMS ARE REFERENCE.
 RECOMMENDED SPARE PARTS:
 1 EA. SFRING 20066445

DRAWN		9/2/1982		 Conveyor Components Company 130 Seltzer Road Crosswile, Michigan, U.S.A., 48422	
CHECKED		1/10/2013			
APPROVED		9/2/1982		TITLE	
PART		BA-2X		MODEL BA-2X BELT ALIGNMENT CONTROL	
THIS PRINT IS PROPERTY OF CONVEYOR COMPONENTS CO., AND MAY NOT BE USED IN WHOLE OR PART WITHOUT WRITTEN PERMISSION.		Drawing is computer generated, and print might not be to scale		REV	
SCALE		D		D0060010.dwg	
SHEET		1		OF 1	