

# MODEL PC

## CABLE OPERATED SAFETY STOP SWITCH

*Rugged Construction withstands the hardest usage, in the harshest environments.*

MODEL PCD-4SL

### RUGGED CONSTRUCTION WITHSTANDS THE HARDEST USAGE

The PC Stop Control can be used for emergency shutdown of conveyor systems, elevator equipment, bulk handling systems, cranes, production and assembly lines, or any other equipment which may require immediate, positive shutdown.

A cable is connected from a fixed point to the cable end connection clevis. Pulling on the cable will actuate the switch, trip the flag arm down into the walkway and lock the switch in the actuated position. The unit is reset by returning the flag arm to the normal up position.

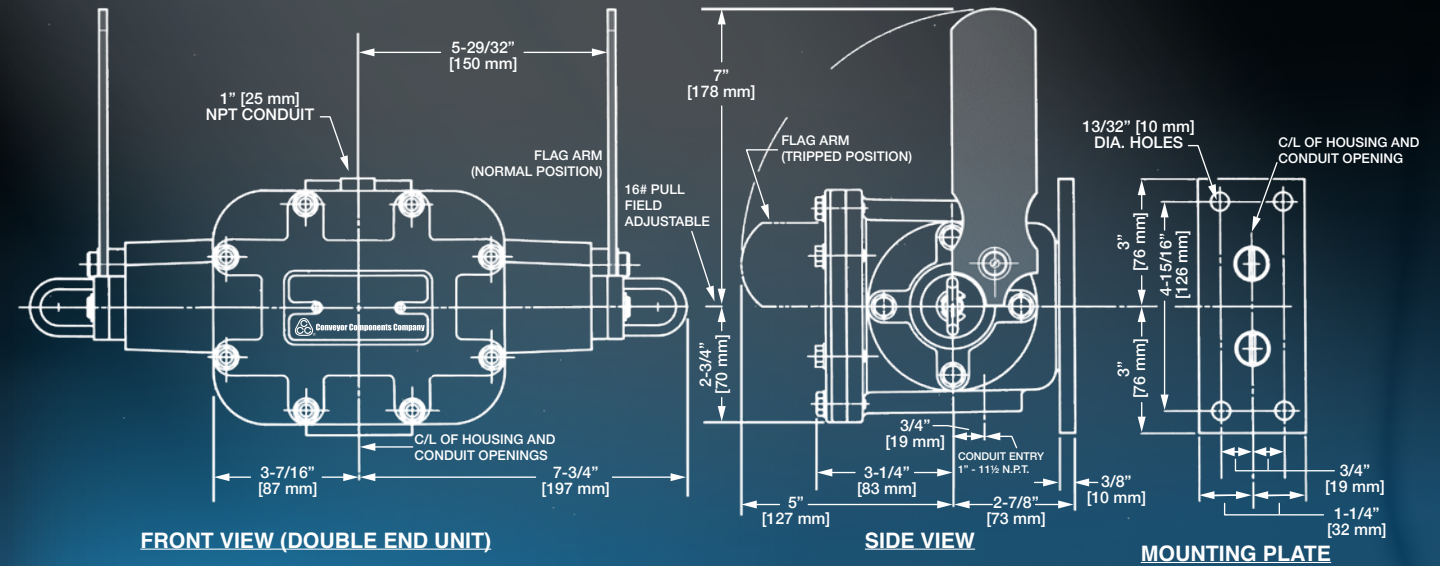
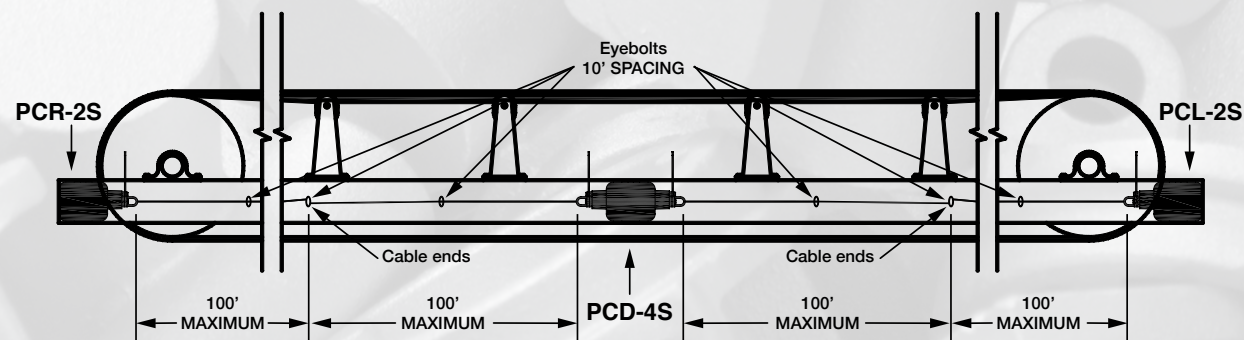
### DETERMINATION OF NUMBER OF UNITS REQUIRED

The Model PC control is designed so that a maximum of 100 feet (30m) of cable can be used. The electrical characteristics of the application will determine the type of microswitches to be specified in the unit. The environmental considerations will determine whether or not the unit is to be explosion proof or require available epoxy coating. The possibility of a light to aid in identification of actuated units should be considered.

Our galvanized aircraft cable with either vinyl or nylon coating should be used with the control to assure proper actuation with no stretching. The cable should be supported by eyebolts every 8-10 feet (3m). These supports ensure that the weight of the cable alone will not actuate the control. For ease of installation, we offer a kit (PCD-K and PCLR-K) that includes all components and correct quantities for the proper installation of one unit.

### EXCLUSIVE FEATURES

1. The housing is cast aluminum, with optional epoxy coating available (for additional corrosion resistance).
2. Single ended units are actuated via a cable pull from one direction, while double-ended units can be actuated from either or both directions. The model PC units come standard with a 16 lb. pull force, however units can be manufactured with a 25 lb pull force. Add "-25" to the end of the model number.
3. The unit is mounted on the conveyor by drilling (4) 13/32" diameter holes.
4. General purpose (weatherproof) units and explosion proof units have (2) 1" NPT conduit openings.
5. The units with "S" type microswitches (SP/DT) have dry, unpowered microswitch(es) rated for 20A @ 120 VAC, 240 VAC, and 480 VAC.
6. The units with "T" type microswitches (Two-Circuit Double-Break) have dry, unpowered microswitch(es) rated for 15A @ 120 VAC, 240 VAC, 480 VAC and 600 VAC.
7. Highly visible red polyester powder coated flag arm for quick identification of actuation.
8. Optional red warning light available for dark or remote locations.
9. The ambient temperature range is -14°-104°F (-25°- 40°C).



### AVAILABLE MODELS

MODEL	DESCRIPTION	SHPG. WT. LBS.
PCL-2S	Left Ended unit with 2 Single Pole Double Throw (SP/DT) Microswitches*	12
PCR-2S	Right Ended unit with 2 Single Pole Double Throw (SP/DT) Microswitches*	12
PCD-4S	Dual Ended unit with 2 Single Pole Double Throw (SP/DT) Microswitches per end*	16
PCR-2T	Right Ended unit with 2 Two Circuit Double Break (TC/DB) Microswitches*	12
PCL-2T	Left Ended unit with 2 Two Circuit Double Break (TC/DB) Microswitches*	12
PCD-4T	Dual Ended unit with 2 Two Circuit Double Break (TC/DB) Microswitches per end*	16
PCL-2SX	Left Ended unit with 2 Single Pole Double Throw (SP/DT) Microswitches**	12
PCR-2SX	Right Ended unit with 2 Single Pole Double Throw (SP/DT) Microswitches**	12
PCD-4SX	Dual Ended unit with 2 Single Pole Double Throw (SP/DT) Microswitches per end**	16
PCR-2TX	Right Ended unit with 2 Two Circuit Double Break (TC/DB) Microswitches**	12
PCL-2TX	Left Ended unit with 2 Two Circuit Double Break (TC/DB) Microswitches**	12
PCD-4TX	Dual Ended unit with 2 Two Circuit Double Break (TC/DB) Microswitches per end**	16
PCD-4SD	Dual Ended unit with 2 Single Pole Double Throw (SP/DT) Microswitches per end***	16
PCR-2TD	Right Ended unit with 2 Two Circuit Double Break (TC/DB) Microswitches***	12
PCL-2TD	Left Ended unit with 2 Two Circuit Double Break (TC/DB) Microswitches***	12
PCD-4TD	Dual Ended unit with 2 Two Circuit Double Break (TC/DB) Microswitches per end***	16

\*GENERAL PURPOSE NEMA TYPE 3, 3S, 4, 4X

\*\* EXPLOSION PROOF NEMA TYPE 7: Class I (Div. 1 & 2), Groups C, D; Type 9: Class II (Div. 1 & 2), Groups E, F, G

\*\*\*DUAL RATED NEMA TYPE 4, Type 9: Class II (Div. 1 & 2), Groups E, F & G Compliant

### ACCESSORIES

**CABLE SUPPORT EYE BOLT**  
1" eye x 6" zinc plated. 1/2"-13 x 2 1/2" thread. Includes two nuts and one lock washer.  
PC-27

**PIGTAIL-STYLE CABLE SUPPORT EYE BOLT**  
1/2" x 6" Plated, with (2) hex nuts and (1) lock washer.  
Item # RS-27P

**DOUBLE-ENDED CABLE SUPPORT EYE BOLT**  
Drilling is not required to install this cable support. Installs under idler bolt.  
Item # RS-23

**CABLE END FITTING**  
Forged steel saddle and steel U-bolt. Galvanized.  
PC-28

**SAFETY CABLE**  
3/32" x 7x7 preformed, galvanized aircraft cable. Available with either orange vinyl or orange nylon protective coating. 3/16" O.D.  
Vinyl Coated PC-25  
Nylon Coated PC-26

**CONDUIT PLUG**  
1" metal, socket head conduit plug.  
PC-29

**PC MOUNTING BRACKET**  
PC-30

**PCD-K**  
Double-ended (PCD units) accessory mounting kit includes: 2 pieces (105 feet each) pull cable (PC-25), 20 eyebolts (PC-27), 8 cable clamps (PC-28), 1 mounting bracket (PC-30).

**PCLR-K**  
Single-ended (PCL & PCR units) accessory mounting kit includes: 1 piece (105 feet) pull cable (PC-25), 10 eyebolts (PC-27), 4 cable clamps (PC-28), 1 mounting bracket (PC-30).

