



# MODEL RS

## CABLE OPERATED SAFETY STOP CONTROL FOR CONVEYORS

### A MUST FOR EMPLOYEE PROTECTION.

The Model RS is actuated by a cable pulled by endangered personnel. The output contacts of the Model RS can control up to two separate circuits, one for machinery shutdown and one for alarm.

Safety minded operators of conveyors, production lines, elevator equipment, assembly lines, material handling systems, cranes, etc. consider it a must for employee protection. Most states have safety statutes that require these controls on conveyors and related equipment. American National Standard Institute recommends their use (ANSI Standard No. ASME B20.1).

### DETERMINATION OF NUMBER OF UNITS REQUIRED

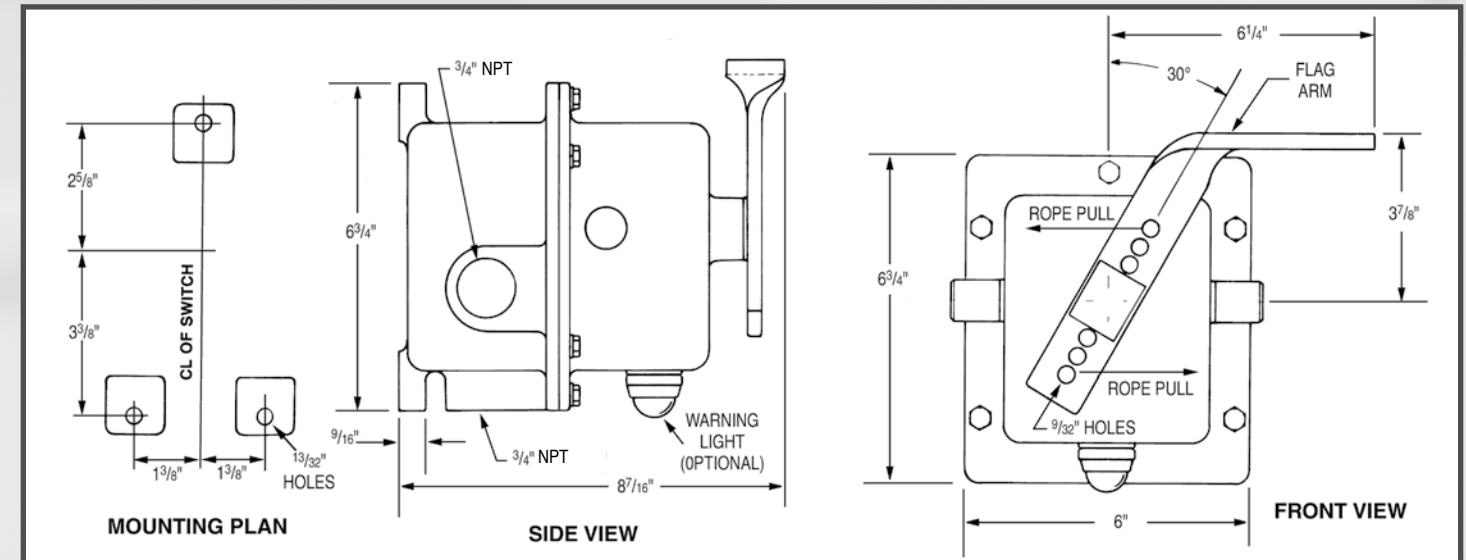
The Model RS control is designed so that a maximum of 100 feet (30m) of cable can be used on each side of the unit. A single control can therefore cover a maximum of 200 feet of conveyor belt or other machinery. If necessary, cable can be extended in only one direction from either side of the unit. The environmental considerations will determine whether or not the unit is to be explosion proof or require available epoxy coating. The possibility of a light to aid in identification of actuated units should be considered.

Our galvanized aircraft cable with vinyl coating should be used with the control to assure proper actuation with no stretching. The cable should be supported by eyebolts every 8-10 feet (3m). These supports ensure that the weight of the cable alone will not actuate the control. For ease of installation, we offer a kit (RS-K) that includes all components and correct quantities for the proper installation of one unit.

### EXCLUSIVE FEATURES

- Once actuated, it cannot be accidentally reset causing dangerous equipment to restart. In order to reset the control, the actuation arm must be manually pushed in and turned. Reset is quick, and makes this a true "safety" control.
- Installed with cables extending in both directions from the actuating handle. There is one electrical connection inside. This eliminates the double electrical connections required in two ended units employing a separate microswitch for cable in each direction.
- The unit is mounted on the conveyor by drilling (3) 13/32" diameter holes.
- The actuation force is easily adjusted in the field by a change in the position of the cable in holes provided in the actuation arm. One of our units will handle as much cable length as a double ended competitive unit and there is no longer a need to specify actuating force or right or left handed units.
- The standard construction of the unit is a corrosion resistant aluminum housing complete with stainless steel hardware and red powder coated actuation handle. The actuation shaft is constructed of stainless steel. Epoxy coating is also available if required.
- The Model RS controls are UL Listed and CSA Certified. The general purpose models are listed for non-hazardous atmospheres. Explosion proof models are listed for use in hazardous atmospheres as defined by the National Electric Code handbook and the National Electrical Manufacturers Association standards for NEMA type 7 and 9 hazardous locations. Specifically, they are listed for Class I, Div 1, Groups C and D; and Class II, Div. 1, Groups E, F and G.
- The unit is available with a warning light that may be wired to indicate actuation. This permits easy identification of actuated units in areas where visual identification is difficult.

# MODEL RS DIMENSIONAL INFORMATION



### AVAILABLE MODELS

MODEL	DESCRIPTION	SHPG. WT. LBS.
RS-2	2 Single Pole Double Throw (SP/DT) Microswitches *	13
RS-5	2 Double Pole Double Throw (DP/DT) Microswitches *	13
RS-2L	2 Single Pole Double Throw (SP/DT) Microswitches and Red Incandescent signal lamp *	14
RS-5L	2 Double Pole Double Throw (DP/DT) Microswitches and Red Incandescent signal lamp *	14
RS-2X	2 Single Pole Double Throw (SP/DT) Microswitches **	13
RS-5X	2 Double Pole Double Throw (DP/DT) Microswitches **	13
RS-2XL	2 Single Pole Double Throw (SP/DT) Microswitches and Red Incandescent signal lamp **	14
RS-5XL	2 DP/DT Microswitches and Red Incandescent signal lamp **	14
RS-2D	2 Single Pole Double Throw (SP/DT) Microswitches ***	13
RS-5D	2 Double Pole Double Throw (DP/DT) Microswitches ***	13

\*General Purpose, NEMA TYPE 1, 3, 3R, 4, 4X

\*\*Explosion Proof, NEMA TYPE 7: Class I (Div. 1 & 2), Groups C & D; 9: Class II (Div. 1 & 2), Groups E, F & G

\*\*\*Dual Rated, NEMA TYPE 3, 4, 4X; Type 9: Class II (Div. 1 & 2), Groups E, F & G

### TECHNICAL SPECIFICATIONS

**Standard Construction** - Rubber gaskets seal unit for outside applications. Listed by UL for NEMA 4/4X dust-tight and rain tight construction, applies to general purpose units.

**Housing** - Cast aluminum. Epoxy coating available.

**Conduit Opening** - 3/4" NPT standard. All RS units have three conduit openings.

**Actuating Arm** - Red powder-coated steel handle with stainless steel shaft.

**Internal Cam and Wear Plate** - Hardened steel.

**External Hardware** - Stainless steel.

**Switches** - SP/DT microswitches. Rated 20A @ 120 VAC, 240VAC, and 480 VAC; 1/2 amp at 125 VDC and 1/4 amp at 250 VDC. Switches may be wired for single throw operation, either normally open or normally closed as required. DP/DT (15A) microswitches also available.

### ACCESSORIES

**BRACKET** for mounting the Model RS stop switch to the conveyor stringer at an idler.  
Item # RS-30

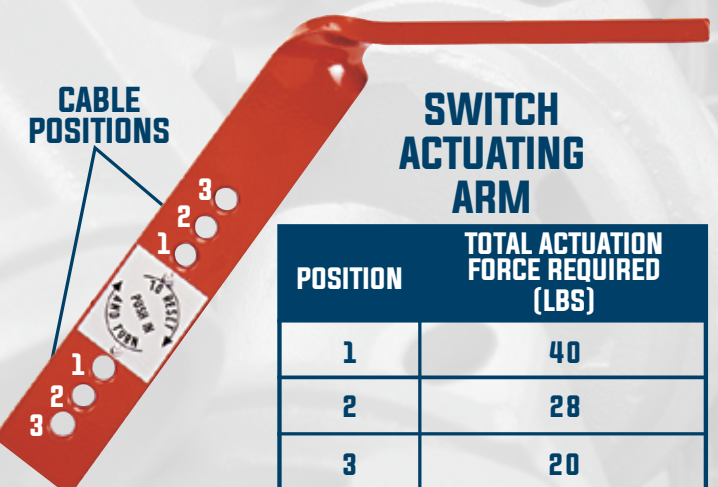
**CONDUIT PLUG**  
3/4" metal, socket head conduit plug.  
Item # RS-29 or # RS-29X

**DOUBLE-ENDED CABLE SUPPORT EYE BOLT**  
Drilling is not required to install this cable support. Installs under idler bolt.  
Item # RS-23-KIT (pack of 10)

**CABLE END FITTING**  
Secures protective cable to switch hand and supports.  
Item # RS-28K-BK (pack of 40)

**SAFETY CABLE**  
3/32" x 7x7 preformed, galvanized aircraft cable. Red vinyl protective coating. 3/16" O.D.  
Item # RS-25-105 (105ft)  
RS-25-500 (500ft)  
RS-25-1000 (1000ft)  
RS-25-5000 (5000ft)

**CABLE SUPPORT EYE BOLT**  
1/2" x 6" plated 2-1/2" long N.C. thread. 1" eye, two nuts and one lock washer.  
Item # RS-27-KIT (pack of 10 & 4 RS-28)  
RS-27K-BK (pack of 100)



As shown in the chart above, the actuation force can be varied by attaching the cable at any one of the three positions.